



A Member of

AAADM

American Association of Automatic Door Manufacturers

AUTOMATIC AND GRAND™ REVOLVING DOORS

OWNER'S MANUAL

Distributed by:

Novalco
800-888-1520

Contents

| Section | Page |
|----------------------|-------------|
| Caution | 2 |
| To Our Customers | 2 |
| Service Availability | 2 |
| What You Should Know | 2 |
| Daily Safety Check | 3 |
| General Safety | 3 |
| Limited Warranty | 4 |



CAUTION

- Failure to follow instructions can result in an improperly adjusted door and can, consequently, cause injury and damage to equipment and property.
- Should the door fail to operate as prescribed in the “Daily Safety Check” of this Owner’s Manual or if a potentially hazardous situation is suspected, the door should be taken out of automatic service until a professional inspection is made and the problem is corrected.
DO NOT ATTEMPT TO REPAIR OR ADJUST THE DOOR YOURSELF.

To Our Customers

The purpose of this manual is to familiarize you with your automatic door system. It is essential that you know your system and that you recognize the importance of maintaining your door system in compliance with all applicable local and national building codes including ANSI A156.27*. Your local Horton Automatics service representative will be familiar these codes and Horton Automatics recommendations for automatic revolving doors. Maintenance and adjustments performed by this service representative/technician will ensure safe and proper operation of the automatic door unit.

*An American National Standard implies a consensus of those substantially concerned with its scope and provisions. An American National Standard is intended to aid the manufacturer, the consumer and the general public. The existence of an American National Standard does not in any respect preclude anyone, whether he has approved the standard or not, from manufacturing, marketing, purchasing, or using products, processes, or procedures not conforming to this standard. American National Standards are subject to periodic review and users are cautioned to obtain the latest editions.

Service Availability

Horton Automatics’ products are manufactured at the plant’s facilities in Corpus Christi, Texas and Telford, England. A worldwide network of authorized independent distributors offers both installation and service. For the Horton Automatics distributor in your area call 1-800-531-3111 or consult the Yellow Pages of your local telephone directory under “Door-Operating Devices.” In Europe, call the plant in Telford, England at 011-44-1952-670169.

What You Should Know

Your local distributor should provide you with the following for each door after installation:

- Safe operation door Instructions
- Location of power cut-off switch.
- Warnings not in these instructions
- Walk-through example of “Daily Safety Check”
- This M900 Owners Manual with the following items filled in:

_____ Phone number to call regarding problems or request for service

_____ Date equipment shipped from Horton plant

_____ Date equipment placed in service

_____ Horton Automatics’ invoice number for Warranty reference and repairs

_____ Equipment type (door series) & Activation/Accessories _____

_____ Control logic version number

Daily Safety Check - It is the responsibility of the owner or caretaker of the equipment to perform the following safety checks each day and after any loss of electrical power:

A. Activation

1. Motion Sensors shall detect a 28" (710mm) minimum high person or equivalent at a rate of 6" (150mm) per second toward the center of the throat opening within the detection area described. Electronic presence sensors shall detect a stationary 28" (710mm) minimum high person or equivalent within the detection area described. Activating detection areas shall have a minimum width equal to the width of the throat opening. The length shall be 43" (1092mm) minimum measured at the center of the throat opening.
2. Step out of sensor zone. After brief time delay (2 seconds min.) door should slow and stop at quarter point. Doors should be adjusted so as not to exceed speeds below:

| Inside Diameter | Horton Recommended Max RPM* |
|------------------------------------|-----------------------------|
| 8'-0" (2438mm) to 9'-6" (2743) | 5 |
| 10'-0" (3050mm) to 12'-0" (3658mm) | 4 |
| 16'-0" (4877mm) | 3 |

*Lower and preferable to maximum allowed by code (NFPA 101, Uniform Bldg Code, Basic Bldg Code, Std Bldg Code)

3. Verify detection pattern is at least as wide as entry by walking parallel to entry about 2 1/2 feet (762mm) from door face. Repeat steps 1 through 3 on opposite side of door.
4. Press the red reduced speed button(s). Reduced speed should be approximately 1-2 RPM. Electronic voice annunciator should say "Door in slow speed, do not push."
5. Horton Automatics includes several safety systems to ensure user safety. These must be checked daily for proper adjustment and function. See installation manuals G918 (automatic revolvers) and G960 (Grand™) for detailed procedure explanation. Wing sensors must reduce door speed to RPM listed in ANSI A156.27

B. Breakaway Mechanism - Check function by applying pressure to each wing to ensure it does not break out unintentionally. Check also for cleanliness.

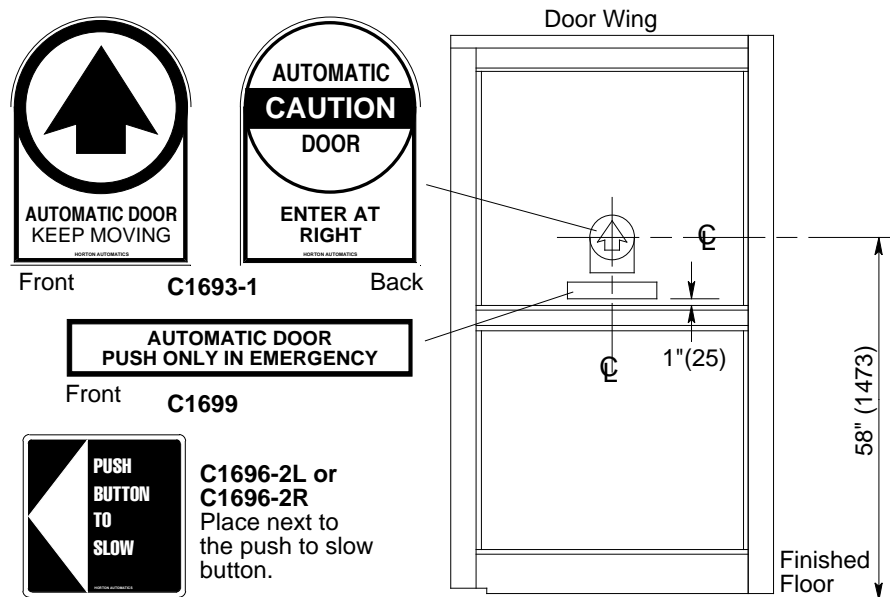
C. General Appearance

1. Inspect weatherstripping for repairs or replacements. Make sure weatherstripping does not "hang-off" door wing. This could create tripping or slipping hazard.
2. On doors with floor mats, inspect mat condition and floor surface. Area underneath mat should be clean and free of debris. Edges of mat should lay flat against floor surface.
3. Check for general cleanliness in and around door. Remove debris that may have accumulated under door wings or around enclosure.
4. Maintain traffic path so that approach is straight on and not from angle or sideways. Remove items that could impede flow or vision of pedestrian traffic through revolver.
5. Inspect door's overall appearance. Safety decals (see next page), hardware, and glass in door wings and enclosure should be present and in good condition.

General Safety

1. **Torque Limiting** - To be checked once door is running at operating speed. Adjust sensitivity (see G918 and G960) so that force exerted by door is 20 to 30 lbs (89 to 133N).
Caution: If setting is too light (sensitive) it may cause nuisance tripping (momentary stops and restarts) on door start ups or in cold weather conditions.
2. **Wall Safety Edges** - Apply light pressure to all safety edges. Operator activation should stop for unintentional bumping with luggage, etc. (less than 1/4 of a second will not stop door).
3. **Adjacent Power Operated Swing Doors** - These are recommended for safety reasons in situations where pedestrian is significantly physically impaired and no assistance is readily available; or, when pedestrian is wary of revolving door.

4. **Decals** - Minimum diameter should be 6" (152mm) and must be visible from both sides. Apply as shown. Note: C1690 Daily Safety Check decal (not shown) should be mounted on interior vertical throat post at 60" (1524mm) above finished floor.




Limited Warranty

Horton Automatics (Seller) warrants to the Buyer all products they manufacture to be free from defects in material and workmanship, under normal use and service, for twelve months from the date product is placed in operation. The Seller's obligation under this warranty is limited to the repair or replacement at the factory, of any parts which shall be returned to the Seller with transportation charges prepaid and which after examination, prove to be defective. Said warranty shall not apply to such products which shall have been installed, altered, or repaired by any person not expressly authorized in writing for such purpose by the Seller, or subjected to misuse, negligence or accident. The aforesaid warranty is made expressly in lieu of other warranties, expressed or implied and in lieu of any other obligations or liabilities on the part of the Seller and the Seller neither assumes nor authorizes any person to assume for it any other liability or obligations in connection with the sale of such products to the Buyer.

There is no warranty of merchantability or fitness for any particular purpose, nor is there any warranty, expressed or implied, except as specifically stated above. seller shall not be liable for special or consequential damage, nor for claims of any third party against the buyer.

Generally, the installing distributor provides a one-year warranty covering the labor and transportation charges for defective parts replacement. If this is the customer's wish, it should be specified.

| | | |
|---|--|--|
|  | 4242 Baldwin Boulevard Corpus Christi, Texas 78405-3399 Tel: 361-888-5591 Fax: 361-888-6510 Toll Free in North America: Tel: 1-800-531-3111 Fax: 1-800-531-3108 Internet: http://www.hortondoors.com | Horton Automatics, Ltd. Unit A, Hortonwood 31 Telford, Shropshire England TFI-4GS Tel: 01952 670169 Fax: 01952 670181 International Numbers: Tel: ++44-1952-670169 Fax: ++44-1952-670181 |
| | | |